

M30 SERIES

There are millions of inductive sensors deployed in almost every area of factory automation. They detect metal objects contactless and are distinguished by a long operating life and extreme robustness. The Datalogic Automation inductive family provides the right solution to market requirements, offering a wide range of cylindrical and rectangular standard sensors with one or two set switching distances, available also with two, three or four wires connection models, short and standard housing and cable or connector version. Stainless steel version for both harsh environments or for FOOD applications.



HIGHLIGHTS

- Wide range: suitable practically for all the industrial applications
- Stainless steel versions: suitable for food applications
- 1X and 2 X operating distances: high detection reliability and precise reading
- 2, 3 or 4 wire connection: flexible connection system to meet customer applications

APPLICATIONS

Automatic warehouse



Automotive



Trasportation lines



Packaging lines

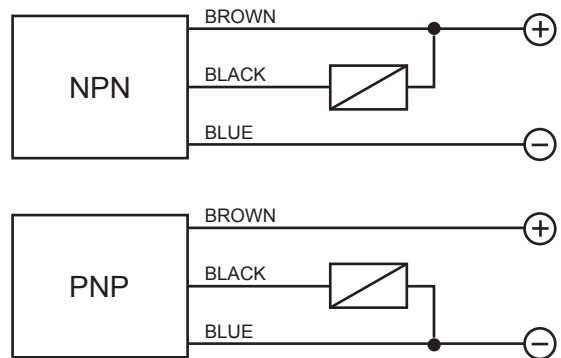


PROXIMITY SWITCHES

10÷30 V DC - 3 WIRES NPN OR PNP OUTPUT

- Range, 10mm to 15mm - flush, non flush
- Short housing models
- Cable or M12 quick connect models
- Operation LED
- Stainless steel housing

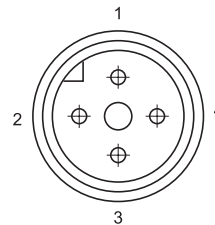
WIRING DIAGRAMS



TECHNICAL DATA

	FLUSH	NON FLUSH
NOMINAL SWITCHING DISTANCE (Sn)	10 mm	15 mm
NOMINAL VOLTAGE	10 ÷ 30 VDC (-15 / +10%)	
RESIDUAL RIPPLE	≤ 10%	
HYSTERESIS	< 10%	
MAX. OUTPUT CURRENT	200 mA	
RESIDUAL CURRENT	< 10 mA	
VOLTAGE DROP	< 1.8 V (I = 100 mA)	
OPERATION LED	Yellow	
SWITCHING FREQUENCY	300 Hz	
START UP DELAY	≤ 50 ms	
REPEATABILITY	≤ 3%	
SHORT CIRCUIT PROTECTION	Present (self-resetting)	
ELECTRIC PROTECTIONS	Against polarity reversal inductive loads	
TEMPERATURE LIMITS	- 25 ÷ +60 °C	
PROTECTION DEGREE	IP 67	
CABLE LENGTH	2 m	
CABLE SECTION	3 x 0,25 mm ²	
HOUSING MATERIAL	Nickel-plated brass Stainless Steel	
WEIGHT - Cable output -	210 g	
WEIGHT - M12 Connector output -	170 g	

CONNECTION WITH CONNECTOR M12



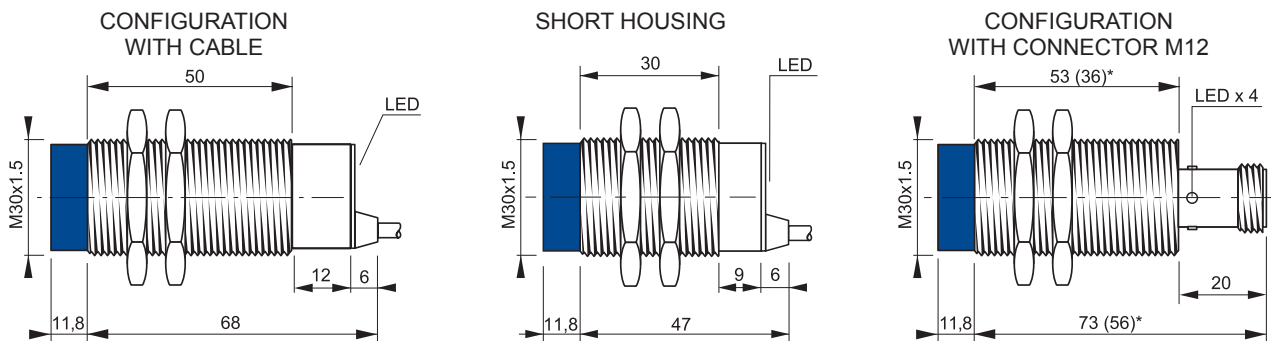
View of quadripole male connector

CONTACTS CONFIGURATION

Available	Contacts numbers			
	1	2	3	4
(NO or NC)	+		-	NO/NC



DIMENSIONS (mm)



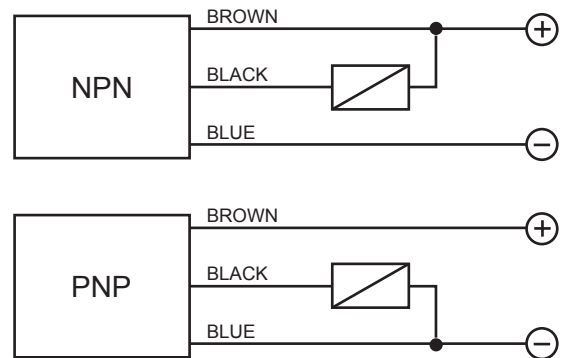
(*) The dimensions into brackets refer to short housing models
Note: the front part in blue refers to non flush models

Ø 30 INCREASED RANGE

10÷30 V DC - 3 WIRES NPN OR PNP OUTPUT

- Range, 15mm to 20mm - flush, non flush
- Short housing models
- Cable or M12 quick connect models
- Operation LED
- Stainless steel

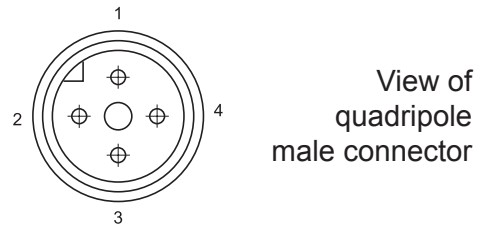
WIRING DIAGRAMS



TECHNICAL DATA

	FLUSH	NON FLUSH
NOMINAL SWITCHING DISTANCE (Sn)	15 mm	20 mm
NOMINAL VOLTAGE	10 ÷ 30 VDC (-15 / +10%)	
RESIDUAL RIPPLE	≤ 10%	
HYSTERESIS	< 10%	
MAX. OUTPUT CURRENT	200 mA	
RESIDUAL CURRENT	< 10 mA	
VOLTAGE DROP	< 1.2 V (I = 100 mA)	
OPERATION LED	Yellow	
SWITCHING FREQUENCY	200 Hz	
START UP DELAY	≤ 75 ms	
REPEATABILITY	≤ 3%	
SHORT CIRCUIT PROTECTION	Present (self-resetting)	
ELECTRIC PROTECTIONS	Against polarity reversal inductive loads	
TEMPERATURE LIMITS	- 25 ÷ +70 °C	
PROTECTION DEGREE	IP 67	
CABLE LENGTH	2 m	
CABLE SECTION	3 x 0,25 mm ²	
HOUSING MATERIAL	Nickel-plated brass Stainless steel	
WEIGHT - Cable output -	210 g	
WEIGHT - M12 Connector output -	170 g	

CONNECTION WITH CONNECTOR M12



View of quadripole male connector

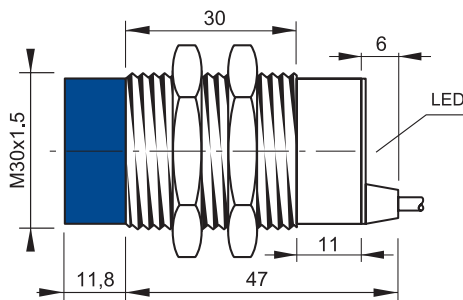
CONTACTS CONFIGURATION

Available	Contacts numbers			
	1	2	3	4
(NO or NC)	+		-	NO/NC

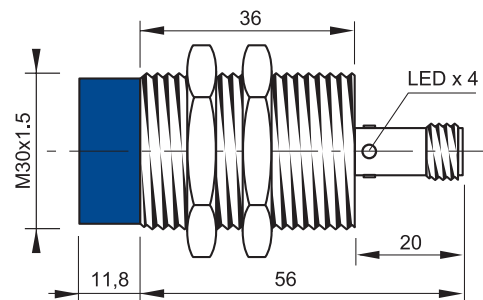


DIMENSIONS (mm)

CONFIGURATION WITH CABLE



CONFIGURATION WITH CONNECTOR M12



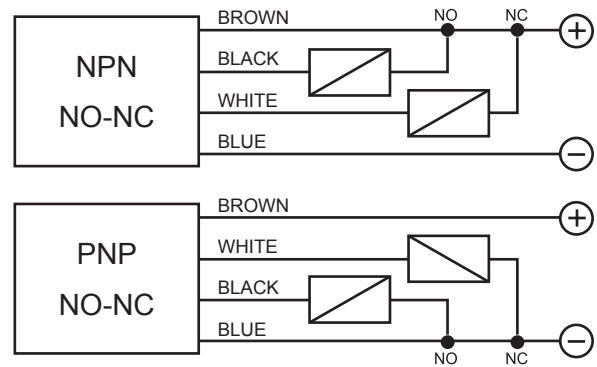
Note: the front part in blue refers to non flush models

Ø 30 INCREASED RANGE

10÷30 V DC - 4 WIRES NPN OR PNP OUTPUT

- Range, 15mm to 20mm - flush, non flush
- Short housing
- Cable or M12 quick connect models
- 200mA NPN or PNP
- Operation LED

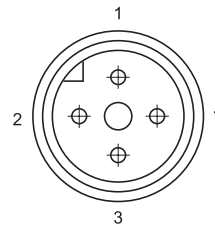
WIRING DIAGRAMS



TECHNICAL DATA

	FLUSH	NON FLUSH
NOMINAL SWITCHING DISTANCE (Sn)	15 mm	20 mm
NOMINAL VOLTAGE	10 ÷ 30 VDC (-15 / +10%)	
RESIDUAL RIPPLE	≤ 10%	
HYSTERESIS	< 10%	
MAX. OUTPUT CURRENT	200 mA	
RESIDUAL CURRENT	< 10 mA	
VOLTAGE DROP	< 1.2 V (I = 100 mA)	
OPERATION LED	Yellow	
SWITCHING FREQUENCY	200 Hz	
START UP DELAY	≤ 75 ms	
REPEATABILITY	≤ 3%	
SHORT CIRCUIT PROTECTION	Present (self-resetting)	
ELECTRIC PROTECTIONS	Against polarity reversal inductive loads	
TEMPERATURE LIMITS	- 25 ÷ +70 °C	
PROTECTION DEGREE	IP 67	
CABLE LENGTH	2 m	
CABLE SECTION	3 x 0,25 mm ²	
HOUSING MATERIAL	Nickel-plated brass	
WEIGHT - Cable output -	210 g	
WEIGHT - M12 Connector output -	170 g	

CONNECTION WITH CONNECTOR M12



View of quadripole male connector

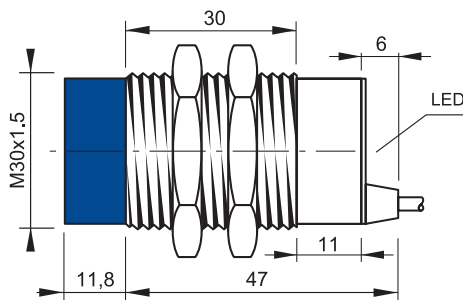
CONTACTS CONFIGURATION

Available	Contacts numbers			
	1	2	3	4
(NO + NC)	+	NC	-	NO

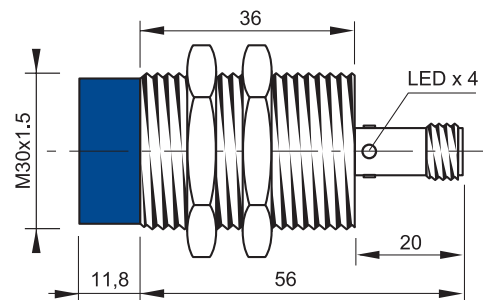


DIMENSIONS (mm)

CONFIGURATION WITH CABLE



CONFIGURATION WITH CONNECTOR M12



Note: the front part in blue refers to non flush models

12÷30 V DC - 4 WIRES PROGRAMMABLE OUTPUT

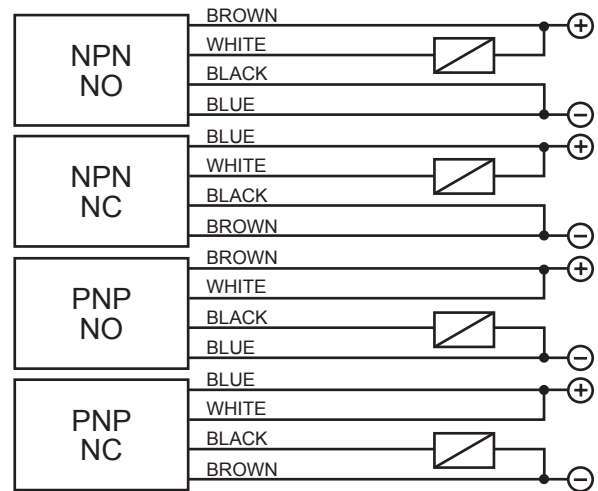
- Range, 10mm to 15mm - flush, non flush
- Programmable outputs: NPN/PNP, NO or NC
- Cable or M12 quick connect models
- Nickel plated brass

TECHNICAL DATA

	FLUSH	NON FLUSH
NOMINAL SWITCHING DISTANCE (Sn)	10 mm	15 mm
NOMINAL VOLTAGE	12 ÷ 30 VDC (-15/+10%)	
RESIDUAL RIPPLE	≤ 10%	
HYSTERESIS	< 10%	
OUTPUT	NPN or PNP (may be selected)	
CONTACT	NO or NC (may be selected)	
MAX. CURRENT OUTPUT	200 mA	
ABSORPTION AT 24 VDC	< 1.2 mA	
VOLTAGE DROP (Sensor ON)	< 1,8 V (I = 100 mA)	
OPERATION LED	Yellow	
SWITCHING FREQUENCY	300 Hz	
START UP DELAY	≤ 50 ms	
REPEATABILITY	≤ 3%	
SHORT CIRCUIT PROTECTION	Present (self-resetting)	
ELECTRIC PROTECTIONS	Against polarity reversal - inductive loads	
TEMPERATURE LIMITS	- 25 ÷ +70 °C	
PROTECTION DEGREE	IP 67	
CABLE LENGTH	2 m	
CABLE SECTION	4 x 0.25 mm ²	
HOUSING MATERIAL	Nickel-plated brass	
WEIGHT - Cable output -	210 g	
WEIGHT - M12 Connector output -	170 g	

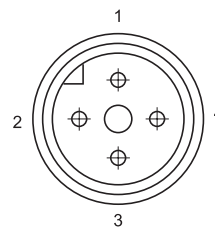


WIRING DIAGRAMS



Thanks to the output status which is not paired with the rest of the circuit, the sensors of this kind of availability give enormous advantages, such as the possibility of obtaining the four output configurations (NPN-NO, NPN-NC, PNP-NO, PNP-NC,) on the same model.

CONNECTION WITH CONNECTOR M12



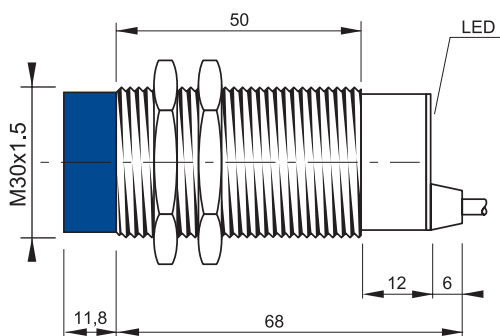
View of quadripole male connector

CONTACTS CONFIGURATION

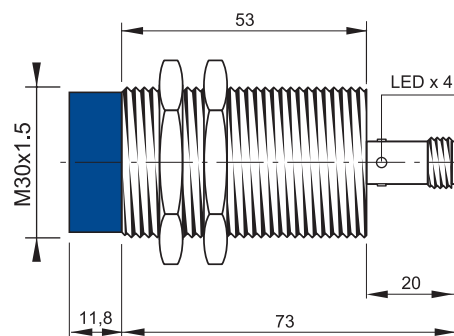
Output	Contacts numbers			
	1	2	3	4
NPN NO	+	NO	-	-
NPN NC	-	NC	+	-
PNP NO	+	+	-	NO
PNP NC	-	+	+	NC

DIMENSIONS (mm)

CONFIGURATION WITH CABLE



CONFIGURATION WITH CONNECTOR M12



Note: the front part in blue refers to non flush models.

Ø 30 INCREASED RANGE

12÷30 V DC - 4 WIRES PROGRAMMABLE OUTPUT

- Range, 15mm to 20mm - flush, non flush
- Programmable outputs: NPN/PNP, NO or NC
- Cable or M12 quick connect models
- Nickel plated brass
- Operation LED
- 200 mA max output

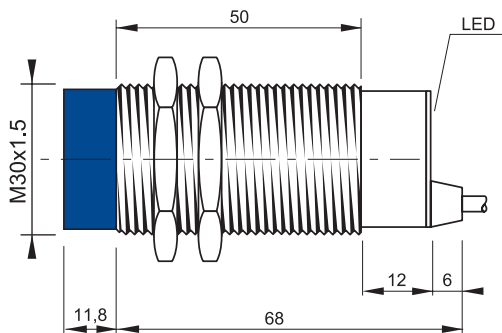
TECHNICAL DATA

	FLUSH	NON FLUSH
NOMINAL SWITCHING DISTANCE (Sn)	15 mm	20 mm
NOMINAL VOLTAGE	12 ÷ 30 VDC (-15/+10%)	
RESIDUAL RIPPLE	≤ 10%	
HYSTERESIS	< 10%	
OUTPUT	NPN or PNP (may be selected)	
CONTACT	NO or NC (may be selected)	
MAX. CURRENT OUTPUT	200 mA	
ABSORPTION AT 24 VDC	< 1.2 mA	
VOLTAGE DROP (Sensor ON)	< 1,8 V (I = 100 mA)	
OPERATION LED	Yellow	
SWITCHING FREQUENCY	200 Hz	
START UP DELAY	≤ 50 ms	
REPEATABILITY	≤ 3%	
SHORT CIRCUIT PROTECTION	Present (self-resetting)	
ELECTRIC PROTECTIONS	Against polarity reversal - inductive loads	
TEMPERATURE LIMITS	- 25 ÷ +70 °C	
PROTECTION DEGREE	IP 67	
CABLE LENGTH	2 m	
CABLE SECTION	4 x 0.25 mm ²	
HOUSING MATERIAL	Nickel-plated brass	
WEIGHT - Cable output -	210 g	
WEIGHT - M12 Connector output -	170 g	

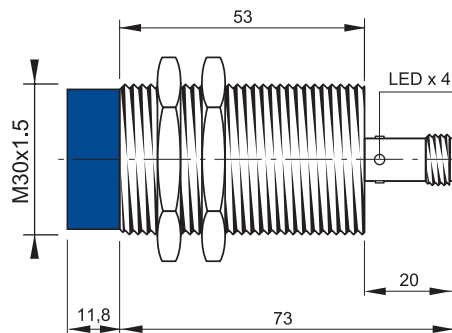


DIMENSIONS (mm)

CONFIGURATION WITH CABLE

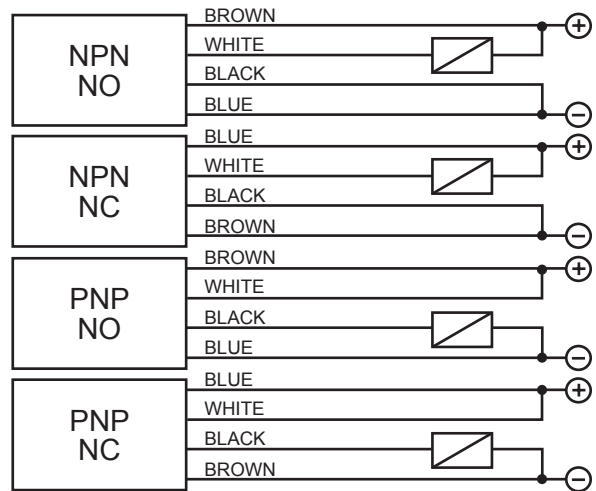


CONFIGURATION WITH CONNECTOR M12



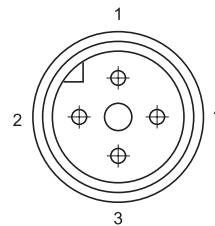
Note: the front part in blue refers to non flush models.

WIRING DIAGRAMS



Thanks to the output status which is not paired with the rest of the circuit, the sensors of this kind of availability give enormous advantages, such as the possibility of obtaining the four output configurations (NPN-NO, NPN-NC, PNP-NO, PNP-NC,) on the same model.

CONNECTION WITH CONNECTOR M12



View of quadripole male connector

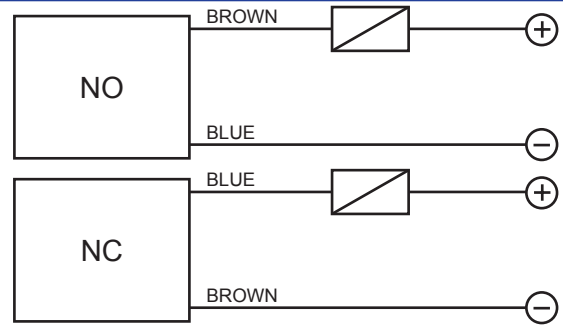
CONTACTS CONFIGURATION

Output	Contacts numbers			
	1	2	3	4
NPN NO	+	NO	-	-
NPN NC	-	NC	+	-
PNP NO	+	+	-	NO
PNP NC	-	+	+	NC

10÷30 VDC 2 WIRES NO-NC PROGRAMMABLE OUTPUT

- Range, 10mm to 15mm - flush, non flush
- Cable or M12 quick connect models
- Nickel plated brass

WIRING DIAGRAMS

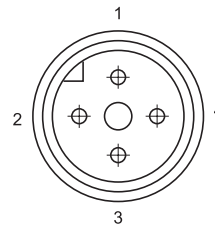


WARNING: The load can be indifferently connected in series to the blue wire or to the brown wire to simulate NPN or PNP functioning logic.

TECHNICAL DATA

	FLUSH	NON FLUSH
NOMINAL SWITCHING DISTANCE (Sn)	10 mm	15 mm
NOMINAL VOLTAGE	10 ÷ 30 VDC (-15 / +10%)	
RESIDUAL RIPPLE	≤ 10%	
HYSTERESIS	< 10%	
MAX. OUTPUT CURRENT	100 mA	
MIN. OUTPUT CURRENT	> 1,6 mA	
RESIDUAL CURRENT	< 1,6 mA	
VOLTAGE DROP	< 6,5 V (I = 100 mA)	
OPERATION LED	Yellow	
SWITCHING FREQUENCY	300 Hz	
START UP DELAY	≤ 50 ms	
REPEATABILITY	≤ 3%	
SHORT CIRCUIT PROTECTION	Present (self-resetting)	
ELECTRIC PROTECTIONS	Against polarity reversal inductive loads	
TEMPERATURE LIMITS	- 25 ÷ +70 °C	
PROTECTION DEGREE	IP 67	
CABLE LENGTH	2 m	
CABLE SECTION	2 x 0.25 mm ²	
HOUSING MATERIAL	Nickel-plated brass	
WEIGHT - Cable output -	210 g	
WEIGHT -M12 Connector output -	170 g	

CONNECTION WITH CONNECTOR M12



View of quadripole male connector

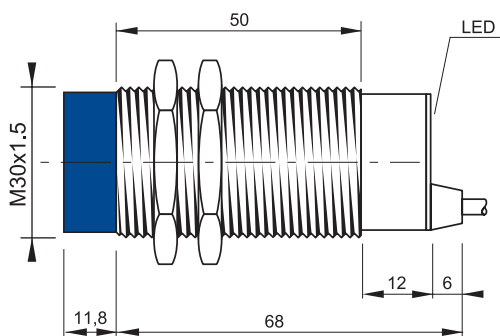
CONTACTS CONFIGURATION

Available	Contacts numbers			
	1	2	3	4
NO	+		-	
NC	-		+	

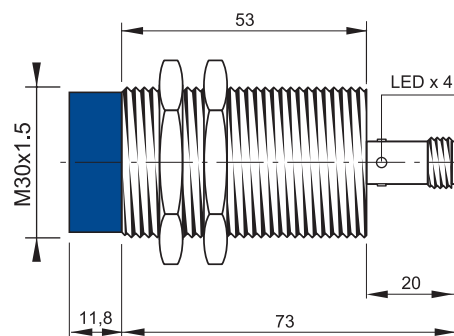


DIMENSIONS (mm)

CONFIGURATION WITH CABLE



CONFIGURATION WITH CONNECTOR M12



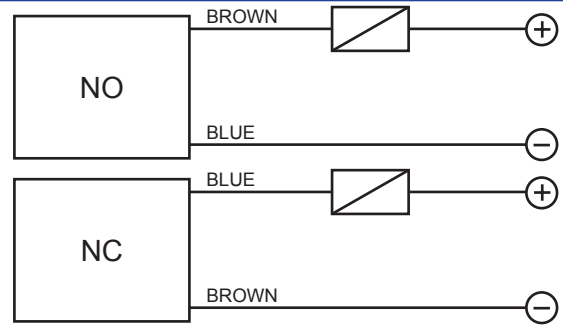
Note: the front part in blue refers to non flush models.

Ø 30 INCREASED RANGE

10÷30 V DC - 2 WIRES NO-NC PROGRAMABLE OUTPUT

- Range, 15mm to 20mm - flush, non flush
- Cable or M12 quick connect models
- Nickel plated brass

WIRING DIAGRAMS

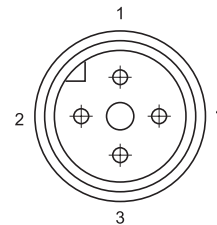


WARNING: The load can be indifferently connected in series to the blue wire or to the brown wire to simulate NPN or PNP functioning logic.

TECHNICAL DATA

	FLUSH	NON FLUSH
NOMINAL SWITCHING DISTANCE (Sn)	15 mm	20 mm
NOMINAL VOLTAGE	10 ÷ 30 VDC (-15 / +10%)	
RESIDUAL RIPPLE	≤ 10%	
HYSTERESIS	< 10%	
MAX. OUTPUT CURRENT	100 mA	
MIN. OUTPUT CURRENT	> 1,6 mA	
RESIDUAL CURRENT	< 1,6 mA	
VOLTAGE DROP	< 6,5 V (I = 100 mA)	
OPERATION LED	Yellow	
SWITCHING FREQUENCY	200 Hz	
START UP DELAY	≤ 50 ms	
REPEATABILITY	≤ 3%	
SHORT CIRCUIT PROTECTION	Present (self-resetting)	
ELECTRIC PROTECTIONS	Against polarity reversal inductive loads	
TEMPERATURE LIMITS	- 25 ÷ +70 °C	
PROTECTION DEGREE	IP 67	
CABLE LENGTH	2 m	
CABLE SECTION	2 x 0.25 mm ²	
HOUSING MATERIAL	Nickel-plated brass	
WEIGHT - Cable output -	210 g	
WEIGHT - M12 Connector output -	170 g	

CONNECTION WITH CONNECTOR M12



View of quadripole male connector

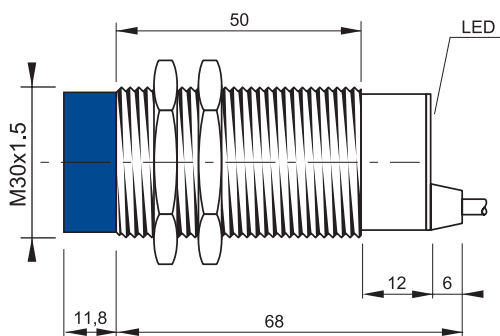
CONTACTS CONFIGURATION

Available	Contacts numbers			
	1	2	3	4
NO	+		-	
NC	-		+	

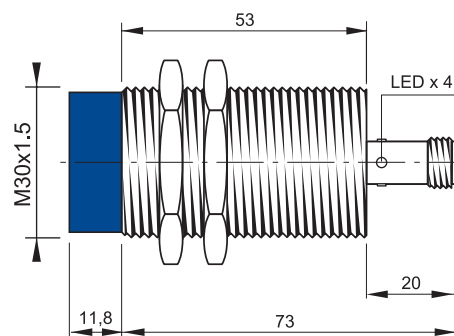


DIMENSIONS (mm)

CONFIGURATION WITH CABLE



CONFIGURATION WITH CONNECTOR M12

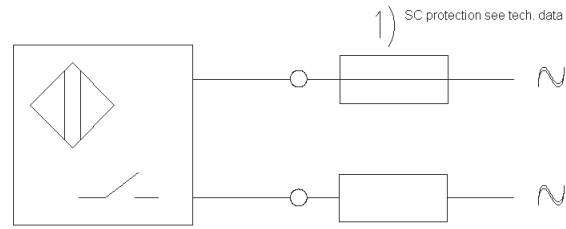


Note: the front part in blue refers to non flush models.

20÷250 V AC - 2 OR 3 WIRES NO OUTPUT

- Range, 10mm - flush
- Cable or M12 quick connect models
- Ultra low consumption < 0,7 mA
- Repeatability 5%
- 500mA max output

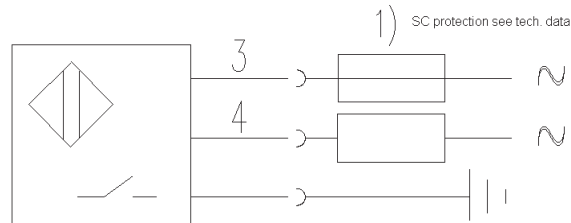
WIRING DIAGRAMS CABLE VERSION



TECHNICAL DATA

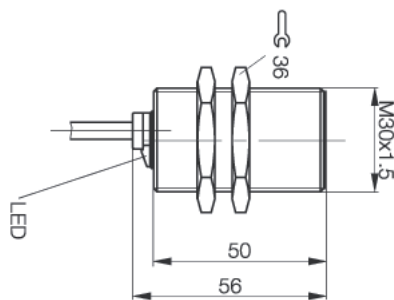
FLUSH	
NOMINAL SWITCHING DISTANCE (Sn)	2 mm
NOMINAL VOLTAGE	20 ÷ 250 VAC
NET FREQUENCY	50 ÷ 60 Hz
HYSTERESIS	< 10%
MAX. OUTPUT CURRENT	500 mA
MIN. OUTPUT CURRENT	20 mA
MAX. INRUSH CURRENT (20 ms)	1.5 A
RESIDUAL CURRENT	< 0.7 mA
VOLTAGE DROP (Sensor ON)	< 5 V (I = 100 mA)
OPERATION LED	Yellow
SWITCHING FREQUENCY	25 Hz
START UP DELAY	≤ 300 ms
REPEATABILITY	5%
TEMPERATURE LIMITS	-25 ÷ +70 °C
PROTECTION DEGREE	IP 67
CABLE LENGTH	2 m
CABLE SECTION	2 x 0.25 mm ²
HOUSING MATERIAL	Nickel-plated brass
WEIGHT - Cable output -	145 g
WEIGHT - M12 connector output -	95 g

WIRING DIAGRAMS CONNECTOR VERSION

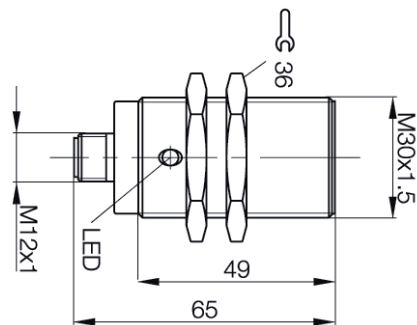


DIMENSIONS (mm)

CONFIGURATION WITH CABLE



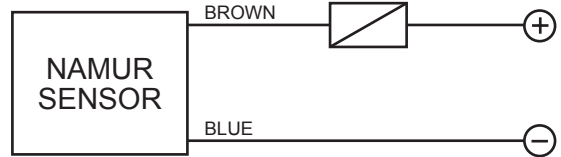
CONFIGURATION WITH CONNECTOR M12



NAMUR

- 5÷24 V DC - 2 WIRES
- Range, 10mm to 15mm - flush, non flush
- Nickel plated brass
- Cable or M12 quick connect models

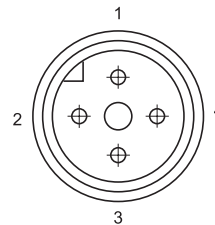
WIRING DIAGRAMS



TECHNICAL DATA

	FLUSH	NON FLUSH
NOMINAL SWITCHING DISTANCE (Sn)	10 mm	15 mm
NOMINAL VOLTAGE (Load resistance 1 K)	7.7 ÷ 9 V DC	
DC SUPPLY VOLTAGE	5 ÷ 24 V DC	
RESIDUAL RIPPLE	≤ 10%	
HYSTERESIS	≤ 10%	
OUTPUT CURRENT (Metal present)	≤ 1 mA	
OUTPUT CURRENT (Metal absent)	≤ 3 mA	
SWITCHING FREQUENCY	2000 Hz	
REPEATABILITY	≤ 3%	
TEMPERATURE LIMITS	-25 ÷ +60 °C	
PROTECTION DEGREE	IP 67	
DEVICE MARKING	II 3D IP67 T6X	
CABLE LENGTH	2 m	
CABLE SECTION	2 x 0.25 mm ²	
HOUSING MATERIAL	Nickel-plated brass	
WEIGHT - Cable output -	210 g	
WEIGHT - M12 Connector output -	170 g	

CONNECTION WITH CONNECTOR M12



View of quadripole male connector

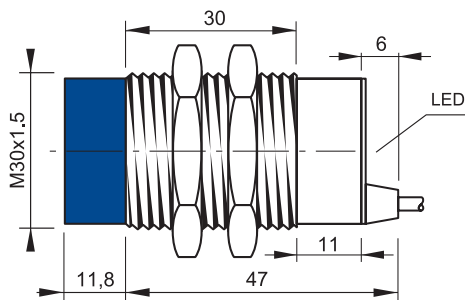
CONTACTS CONFIGURATION

Available	Contacts numbers			
	1	2	3	4
NAMUR	+		-	

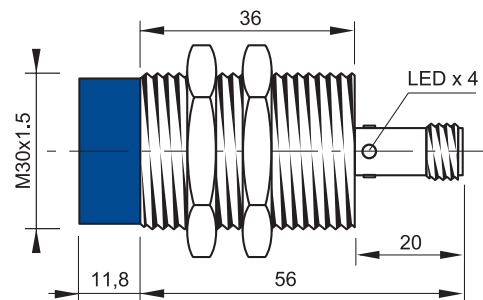


DIMENSIONS (mm)

CONFIGURATION WITH CABLE



CONFIGURATION WITH CONNECTOR M12



Note: the front part in blue refers to non flush models

MODEL SELECTION AND ORDER INFORMATION

2MT CABLE

CODE	MODEL	RANGE	HOUSING	STEEL AISI316L	FLUSH	WIRES	NPN/PNP	NO/NC
95B061381	IS-30-A3-03	1X	STANDARD		•	3	NPN	NO
95B062181	IS-30-B3-03	1X	SHORT		•	3	NPN	NO
95B061401	IS-30-A4-03	1X	STANDARD		•	3	NPN	NC
95B062201	IS-30-B4-03	1X	SHORT		•	3	NPN	NC
95B061421	IS-30-A1-03	1X	STANDARD		•	3	PNP	NO
95B062221	IS-30-B1-03	1X	SHORT		•	3	PNP	NO
95B061441	IS-30-A2-03	1X	STANDARD		•	3	PNP	NC
95B062241	IS-30-B2-03	1X	SHORT		•	3	PNP	NC
95B061781	IS-30-C3-03	1X	STANDARD			3	NPN	NO
95B062581	IS-30-D3-03	1X	SHORT			3	NPN	NO
95B061801	IS-30-C4-03	1X	STANDARD			3	NPN	NC
95B062601	IS-30-D4-03	1X	SHORT			3	NPN	NC
95B061821	IS-30-C1-03	1X	STANDARD			3	PNP	NO
95B062621	IS-30-D1-03	1X	SHORT			3	PNP	NO
95B061841	IS-30-C2-03	1X	STANDARD			3	PNP	NC
95B062641	IS-30-D2-03	1X	SHORT			3	PNP	NC
95B063641	IS-30-G3-03	2X	SHORT		•	3	NPN	NO
95B063661	IS-30-G4-03	2X	SHORT		•	3	NPN	NC
95B063681	IS-30-G1-03	2X	SHORT		•	3	PNP	NO
95B063701	IS-30-G2-03	2X	SHORT		•	3	PNP	NC
95B063721	IS-30-H3-03	2X	SHORT			3	NPN	NO
95B063741	IS-30-H4-03	2X	SHORT			3	NPN	NC
95B063761	IS-30-H1-03	2X	SHORT			3	PNP	NO
95B063781	IS-30-H2-03	2X	SHORT			3	PNP	NC
95B063821	IS-30-G5-03	2X	SHORT		•	4	PNP	NO-NC
95B063861	IS-30-G0-03	2X	SHORT		•	4	PROG	PROG
95B064400	IS-30-G6-03	2X	SHORT		•	4	NPN	NO-NC
95B064410	IS-30-H6-03	2X	SHORT			4	NPN	NO-NC
95B064420	IS-30-H5-03	2X	SHORT			4	PNP	NO-NC
95B064460	IS-30-A0-03	1X	STANDARD		•	4	PROG	PROG
95B064470	IS-30-B0-03	1X	STANDARD			4	PROG	PROG
95B064480	IS-30-H0-03	2X	SHORT			4	PROG	PROG
95B064530	IS-30-A9-03	1X	STANDARD		•	2		PROG
95B064540	IS-30-G9-03	2X	SHORT		•	2		PROG
95B064550	IS-30-B9-03	1X	STANDARD			2		PROG
95B064560	IS-30-H9-03	2X	SHORT			2		PROG
95B064610	IS-30-A20-03	1X	STANDARD		•	2		
95B064620	IS-30-C20-03	1X	STANDARD			2		
95B060810	IS-30-A15-03	1X	STANDARD		•	2		NO

MODEL SELECTION AND ORDER INFORMATION

M12 CONNECTOR

CODE	MODEL	RANGE	HOUSING	STEEL AISI316L	FLUSH	WIRES	NPN/PNP	NO/NC
95B060420	IS-30-M3-S2	1X	SHORT	•	•	3	NPN	NO
95B060430	IS-30-M4-S2	1X	SHORT	•	•	3	NPN	NC
95B060400	IS-30-M1-S2	1X	SHORT	•	•	3	PNP	NO
95B060410	IS-30-M2-S2	1X	SHORT	•	•	3	PNP	NC
95B060460	IS-30-N3-S2	1X	SHORT	•	•	3	NPN	NO
95B060470	IS-30-N4-S2	1X	SHORT	•	•	3	NPN	NC
95B060440	IS-30-N1-S2	1X	SHORT	•	•	3	PNP	NO
95B060450	IS-30-N2-S2	1X	SHORT	•	•	3	PNP	NC
95B061391	IS-30-A3-S2	1X	STANDARD		•	3	NPN	NO
95B062191	IS-30-B3-S2	1X	SHORT		•	3	NPN	NO
95B061411	IS-30-A4-S2	1X	STANDARD		•	3	NPN	NC
95B062211	IS-30-B4-S2	1X	SHORT		•	3	NPN	NC
95B061431	IS-30-A1-S2	1X	STANDARD		•	3	PNP	NO
95B062231	IS-30-B1-S2	1X	SHORT		•	3	PNP	NO
95B061451	IS-30-A2-S2	1X	STANDARD		•	3	PNP	NC
95B062251	IS-30-B2-S2	1X	SHORT		•	3	PNP	NC
95B061791	IS-30-C3-S2	1X	STANDARD			3	NPN	NO
95B062591	IS-30-D3-S2	1X	SHORT			3	NPN	NO
95B061811	IS-30-C4-S2	1X	STANDARD			3	NPN	NC
95B062611	IS-30-D4-S2	1X	SHORT			3	NPN	NC
95B061831	IS-30-C1-S2	1X	STANDARD			3	PNP	NO
95B062631	IS-30-D1-S2	1X	SHORT			3	PNP	NO
95B061851	IS-30-C2-S2	1X	STANDARD			3	PNP	NC
95B062651	IS-30-D2-S2	1X	SHORT			3	PNP	NC
95B063651	IS-30-G3-S2	2X	SHORT		•	3	NPN	NO
95B063671	IS-30-G4-S2	2X	SHORT		•	3	NPN	NC
95B063691	IS-30-G1-S2	2X	SHORT		•	3	PNP	NO
95B063711	IS-30-G2-S2	2X	SHORT		•	3	PNP	NC
95B063731	IS-30-H3-S2	2X	SHORT			3	NPN	NO
95B063751	IS-30-H4-S2	2X	SHORT			3	NPN	NC
95B063771	IS-30-H1-S2	2X	SHORT			3	PNP	NO
95B063791	IS-30-H2-S2	2X	SHORT			3	PNP	NC
95B060180	IS-30-O3-S2	2X	SHORT	•	•	3	NPN	NO
95B060190	IS-30-O4-S2	2X	SHORT	•	•	3	NPN	NC
95B060160	IS-30-O1-S2	2X	SHORT	•	•	3	PNP	NO
95B060170	IS-30-O2-S2	2X	SHORT	•	•	3	PNP	NC
95B060220	IS-30-P3-S2	2X	SHORT	•		3	NPN	NO
95B060230	IS-30-P4-S2	2X	SHORT	•		3	NPN	NC
95B060200	IS-30-P1-S2	2X	SHORT	•		3	PNP	NO
95B060210	IS-30-P2-S2	2X	SHORT	•		3	PNP	NC
95B063831	IS-30-G5-S2	2X	SHORT		•	4	PNP	NO-NC
95B064430	IS-30-G6-S2	2X	SHORT		•	4	NPN	NO-NC
95B064440	IS-30-H6-S2	2X	SHORT			4	NPN	NO-NC
95B064450	IS-30-H5-S2	2X	SHORT			4	PNP	NO-NC
95B064490	IS-30-A0-S2	1X	STANDARD		•	4	PROG	PROG
95B064500	IS-30-G0-S2	2X	SHORT		•	4	PROG	PROG
95B064510	IS-30-B0-S2	1X	STANDARD			4	PROG	PROG
95B064520	IS-30-H0-S2	2X	SHORT			4	PROG	PROG
95B064570	IS-30-A9-S2	1X	STANDARD		•	2		PROG
95B064580	IS-30-G9-S2	2X	SHORT		•	2		PROG
95B064590	IS-30-B9-S2	1X	STANDARD			2		PROG
95B064600	IS-30-H9-S2	2X	SHORT			2		PROG
95B064630	IS-30-A20-S2	1X	STANDARD		•	2		
95B064640	IS-30-C20-S2	1X	STANDARD			2		
95B064450	IS-30-H5-S2	2X	SHORT			4	PNP	NO-NC
95B064490	IS-30-A0-S2	1X	STANDARD		•	4	PROG	PROG

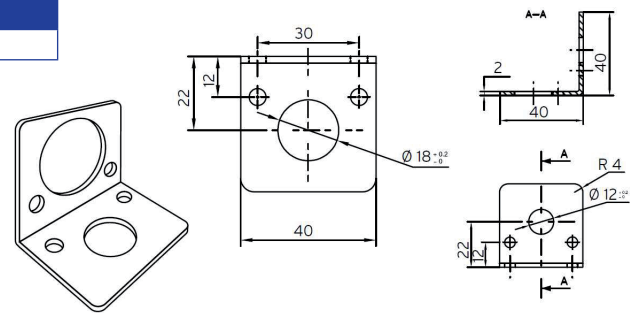
MODEL SELECTION AND ORDER INFORMATION

M12 CONNECTOR

CODE	MODEL	RANGE	HOUSING	STEEL AISI316L	FLUSH	WIRES	NPN/PNP	NO/NC
95B064500	IS-30-G0-S2	2X	SHORT		•	4	PROG	PROG
95B064510	IS-30-B0-S2	1X	SHORT		•	4	PROG	PROG
95B064520	IS-30-H0-S2	2X	SHORT			4	PROG	PROG
95B064570	IS-30-A9-S2	1X	STANDARD		•	2		PROG
95B064580	IS-30-G9-S2	2X	SHORT		•	2		PROG
95B064590	IS-30-B9-S2	1X	SHORT		•	2		PROG
95B064600	IS-30-H9-S2	2X	SHORT			2		PROG
95B060820	IS-30-A15-S2	1X	STANDARD		•	2		NO

ACCESSORY SELECTION AND ORDER INFORMATION

CODE	MODEL	DESCRIPTION
95ACC3350	ST1830	ST1830 Brackets M18/M30 sensors



Material: stainless steel.

Weight 40 g

MODEL DESCRIPTION

IS - 04 - A1 - 03

DIAMETER

- 04 = 4mm
- 05 = 5mm
- 65 = 6,5mm
- 08 = 8mm
- 12 = 12mm
- 18 = 18mm
- 30 = 30mm
- 40 = 40x40mm SQUARE
- 80 = 80x80mm SQUARE
- 88 = 8x8mm SQUARE

CONSTRUCTION

- A= flush standard housing
- B= flush short housing
- BB= flush extra short housing
- C= non flush standard housing
- D= non flush short housing
- E= flush standard housing double range
- F= non flush standard housing double range
- G= flush short housing double range
- GG= flush extra short housing double range
- H= non flush short housing double range
- I= flush standard housing metal face
- L= non flush standard housing metal face
- M= flush short housing steel
- N= non flush short housing steel
- O= flush short housing steel double range
- P= non flush short housing steel double range
- Q= flush 8x8mm square housing
- R= flush 8x8mm square housing double range
- S= flush standard housing steel
- T= non flush standard housing steel
- U= flush standard housing steel double range
- V= non flush standard housing steel double range
- W= flush 40x40mm square housing
- X= flush 40x40mm short square housing
- Y= non flush 40x40mm square housing
- Z= non flush 40x40mm short square housing

OUTPUT

- 1 = 10-30 Vdc PNP NO
- 2 = 10-30 Vdc PNP NC
- 3 = 10-30 Vdc NPN NO
- 4 = 10-30 Vdc NPN NC
- 5 = 10-30 Vdc PNP NO-NC
- 6 = 10-30 Vdc NPN NO-NC
- 7 = 24-230Vac - 2 wires NO
- 8 = 24-230Vac - 2 wires NC
- 9 = 10-30 Vdc - 2 wires NO-NC
- 0 = 10-30 Vdc - 4 wires
- 11 = Analog 4-20mA
- 12 = Analog 0-10V
- 13 = Analog 0-10V/4-20mA
- 14 = Analog 0-5V/1-5mA
- 15 = 20-250Vac/Vdc-2 and 3 wires NO
- 20 = NAMUR

CONNECTION

- 02 = Cable 500mm
- 03 = Cable 2mt
- 04 = Cable 700mm
- S1 = M8 connector
- S2 = M12 connector
- S3 = terminal block*
- S4 = unf 1/2"

* only for square housing version

Note: Not all code combinations are available. Please refer to alphabetical model index for the list of available models.



The company endeavours to continuously improve and renew its products; for this reason the technical data and contents of this catalogue may undergo variations without prior notice. For correct installation and use, the company can guarantee only the data indicated in the instruction manual supplied with the products.